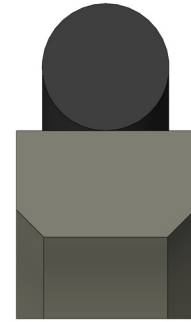


ROD SEAL SPOR30



The double-action SPOR30 consists of a PTFE-bronze sealing element and an O-ring that serves as a pre-tensioning element.

The pre-tensioning in combination with a defined coating of the PTFE ring offers a good sealing effect at high dynamic loads or low operating pressures. It simultaneously exhibits very good static leak-tightness.

The standardized installation space in accordance with ISO 7425/2 permits an economical installation space design.

DIMENSIONS

The currently available dimensions can be found on our website and in our webshop at www.dichtomatik.com.

APPLICATIONS

SPOR30 is suited for use in nearly all areas of mobile and stationary hydraulics. The double-action piston seal lends

itself to use in numerous applications such as:

- Agricultural machinery
- Construction machinery
- Truck loading cranes
- Spray injection molding machines
- Handling devices
- Industrial trucks
- Standard cylinders
- Presses
- Switch valves
- And many more

ADVANTAGES AT A GLANCE

- No stick-slip effect
- Reduced friction is achievable even at low speeds
- During relatively long operational breaks, the seal separates from the counter-surface without sticking
- Very good wear characteristics
- Usage in a high temperature range, depending on the O-ring material
- Standardized installation spaces



CHARACTERISTICS

Sealing Materials

The sealing element SPOR30 is made of PTFE-bronze. The O-ring is constructed from NBR70 Shore A.

Mounting

This two-part piston seal can be easily installed into pierced grooves. Subsequent calibration is recommended. Relatively small dimensions make axially accessible grooves necessary, eliminating the calibration.

Media resistance

- Hydraulic oils in accordance with DIN 51524 Part 1-3
- Lubricating oils and greases based on mineral oil
- Flame retardant hydraulic fluids HFA, HFB, HFC

Limits of operating use

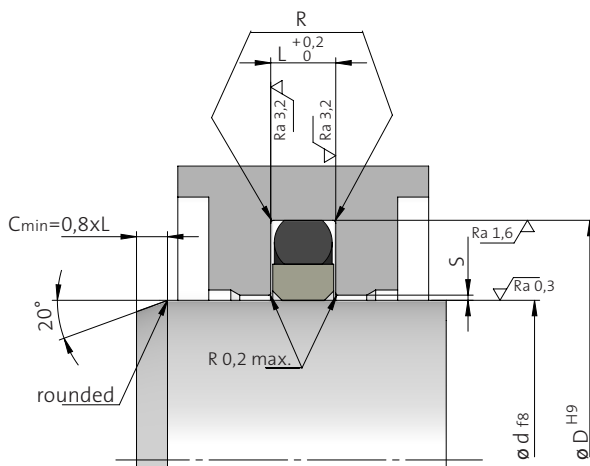
Pressure (MPa)	to 40
Temperature (°C)	-30 to +100
Glide speed (m/s)	≤15

Design guideline

Ød	D-4,9	D-7,3	D-10,7	D-15,1	D-20,5	D-24	D-27,3	D-38
Height L	2,2	3,2	4,2	6,3	8,1	8,1	9,5	13,8
R	0,4	0,6	0,8	1,2	1,6	1,6	2,5	2,5

Gap Smax. in operation

up to 20 MPa	0,2	0,25	0,3	0,35	0,5	0,7
up to 40 MPa	0,13	0,15	0,18	0,2	0,25	0,3



Installation spaces in accordance with ISO 7425/2

The information contained herein is considered to be reliable, but no assurances, warrants or guarantees whatsoever, of any kind, are provided with regard to their correctness or suitability for any purpose. The information reproduced herein is based on the current state of the technology and is not necessarily indicative of the performance of the end product. Complete testing and the performance of the end product are the user's responsibility.